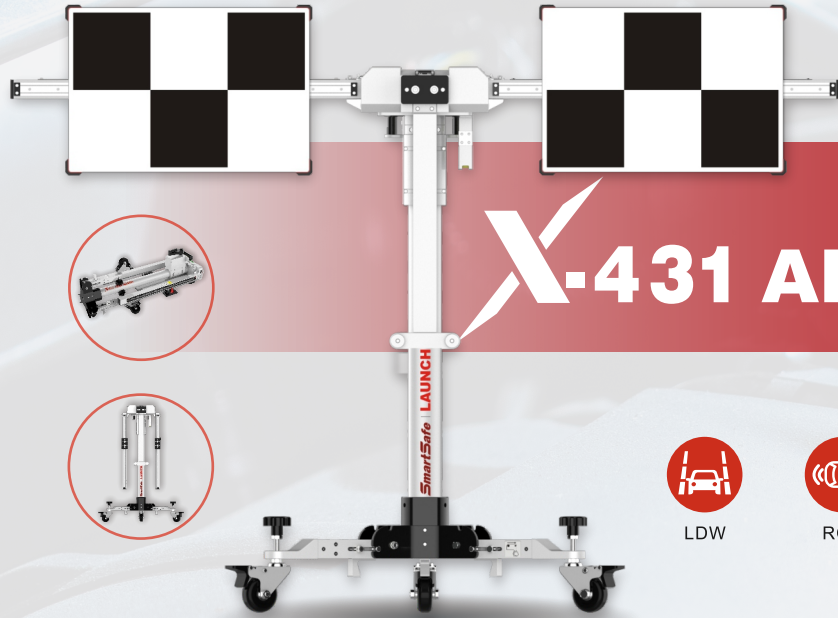


# MAKING SMART ADAS CALIBRATION EVEN SMARTER



## X-431 ADAS MOBILE

- LDW
- RCW
- AVM
- NV
- BSD

★ FOLDABLE ★

★ PORTABLE ★

★ AFFORDABLE ★

### FEATURES

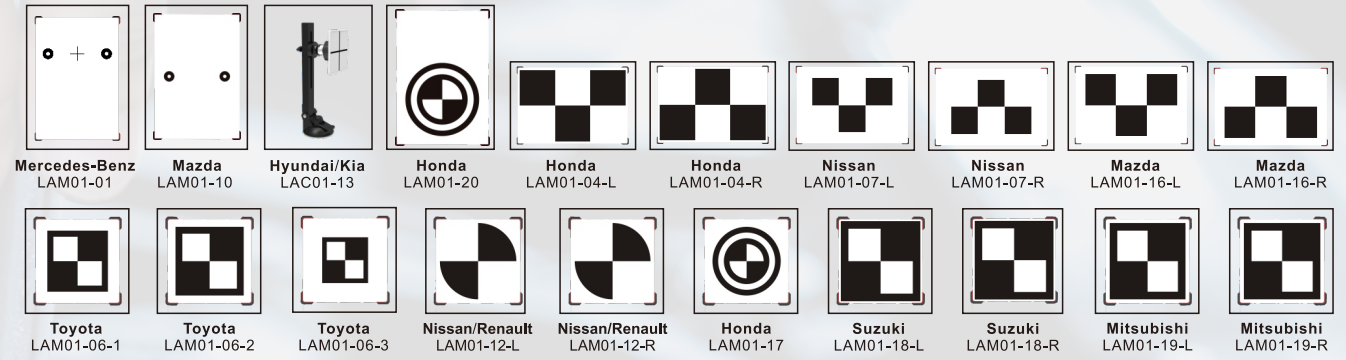
- SPACE SAVING**  
More than 50% working space can be saved with compact design
- LABOR SAVING**  
No installation required, can be used straight out of the box
- TIME SAVING**  
At least 10 minutes faster for each calibration with simple procedure
- COMPATIBLE**  
Wide coverage with OE-Level accuracy
- PORTABLE**  
Foldable kits and small sized panels can fit in vehicle's trunk for mobile repair

### VEHICLE COVERAGE - KEEP UPDATING

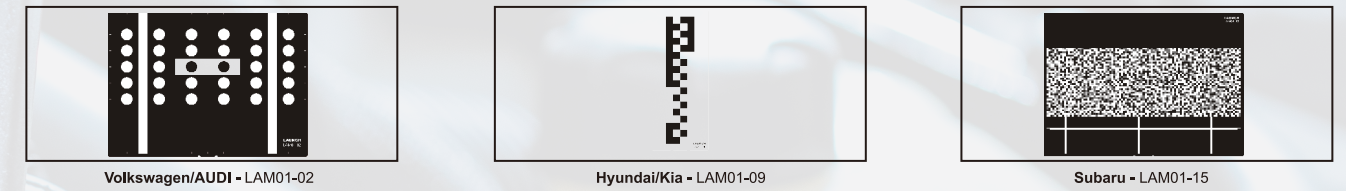
ASIAN	EUROPEAN	AMERICAN
Kia, Hyundai, Toyota, Lexus, Honda, Acura, Nissan, Infiniti, Mitsubishi, Subaru, Suzuki, Daihatsu, Mazda, and more.	Mercedes-Benz, BMW, Audi, Volkswagen, Land Rover, Jaguar, Volvo, Fiat, Opel, Seat, Skoda, Renault, Citroen, Smart, Mini, Peugeot, Porsche, and more.	GM, Ford, Chrysler, Buick, Cadillac, Chevrolet, Dodge, Jeep, Lincoln, and more.

### INCLUDED

#### LDW (Lane Departure Warning) Panels - Small Size

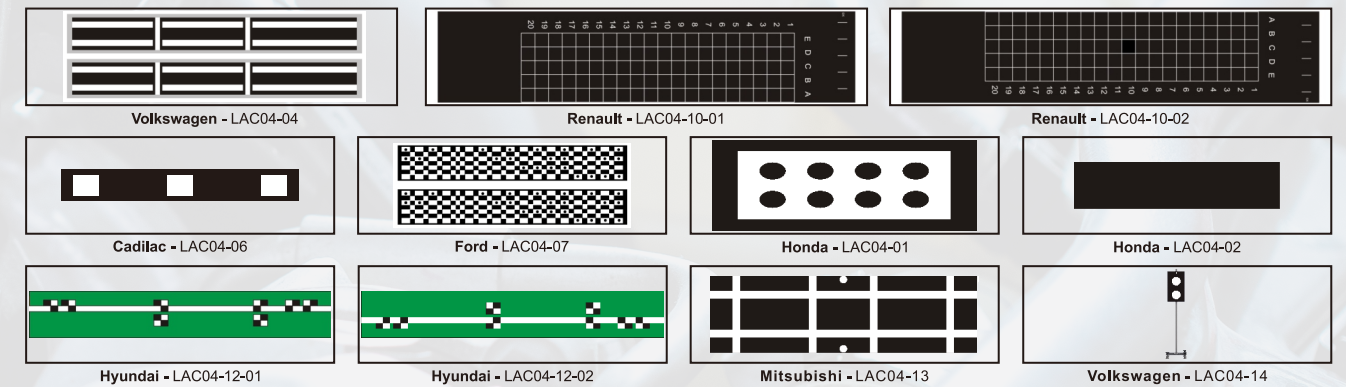


#### LDW (Lane Departure Warning) Panels - Normal Size



### OPTIONAL

#### AVM (Around View Monitoring) Panels - Normal Size



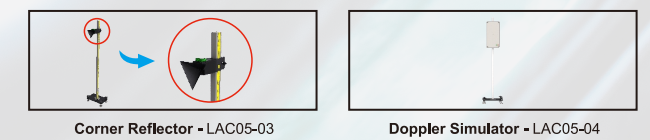
#### RCW (Rear Collision Warning) Panels - Normal Size



#### LDW (Lane Departure Warning) Panels - Normal Size



#### Others - Normal Size



#### AVAILABLE ON

